

March 8, 1949.

H. E. LAUBACH ET AL

Des. 152,987

ENGINE LATHE

Filed Oct. 21, 1947

4 Sheets-Sheet 1

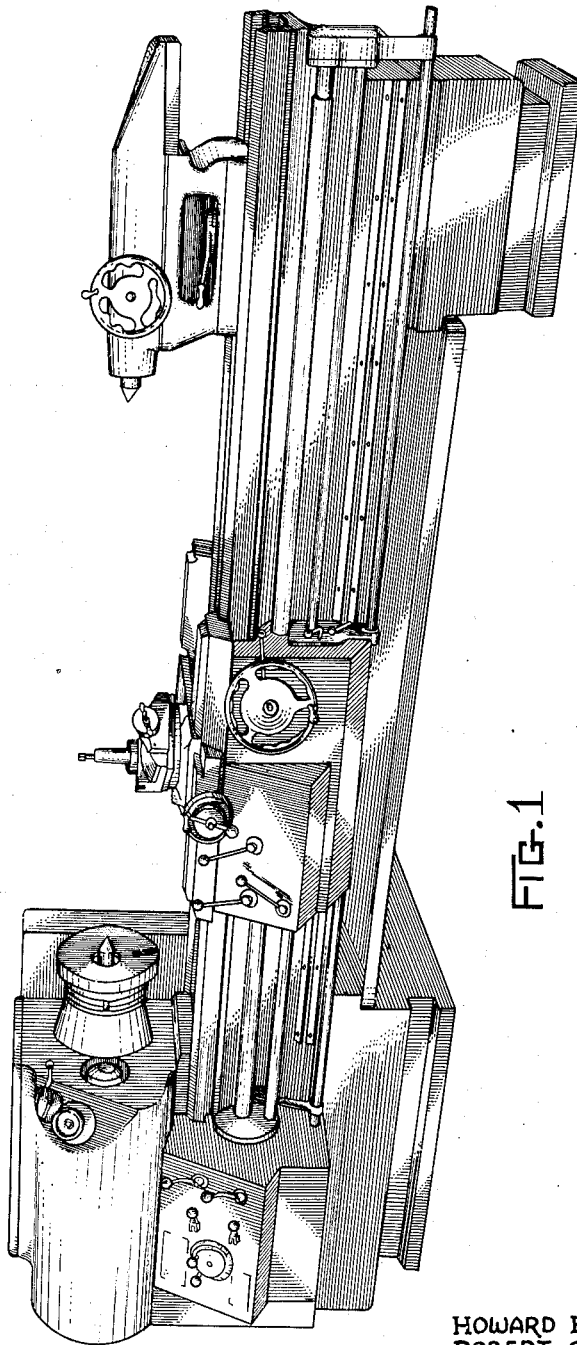


FIG. 1

INVENTOR.
HOWARD E. LAUBACH.
ROBERT C. JOHNSON.
BY VINCENT J. KRAMER.

Toulmin & Toulmin
ATTORNEYS

March 8, 1949.

H. E. LAUBACH ET AL
ENGINE LATHE

Des. 152,987

Filed Oct. 21, 1947

4 Sheets-Sheet 2

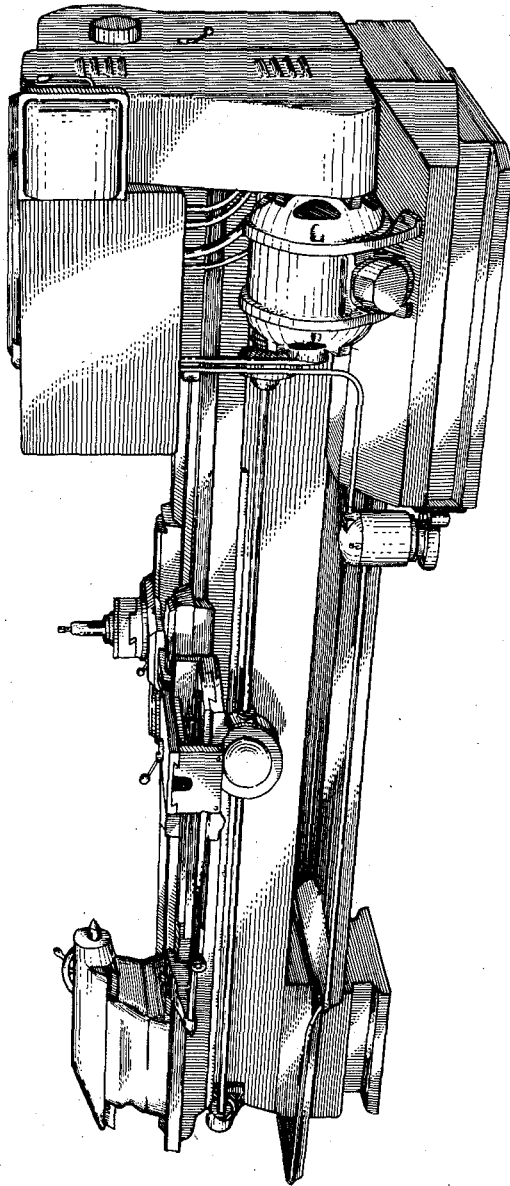


FIG. 2

INVENTOR.
HOWARD E. LAUBACH.
ROBERT C. JOHNSON.
BY VINCENT J. KRAMER.

Toulmin + Toulmin
ATTORNEYS

March 8, 1949.

H. E. LAUBACH ET AL.
ENGINE LATHE

Des. 152,987

Filed Oct. 21, 1947

4 Sheets-Sheet 3

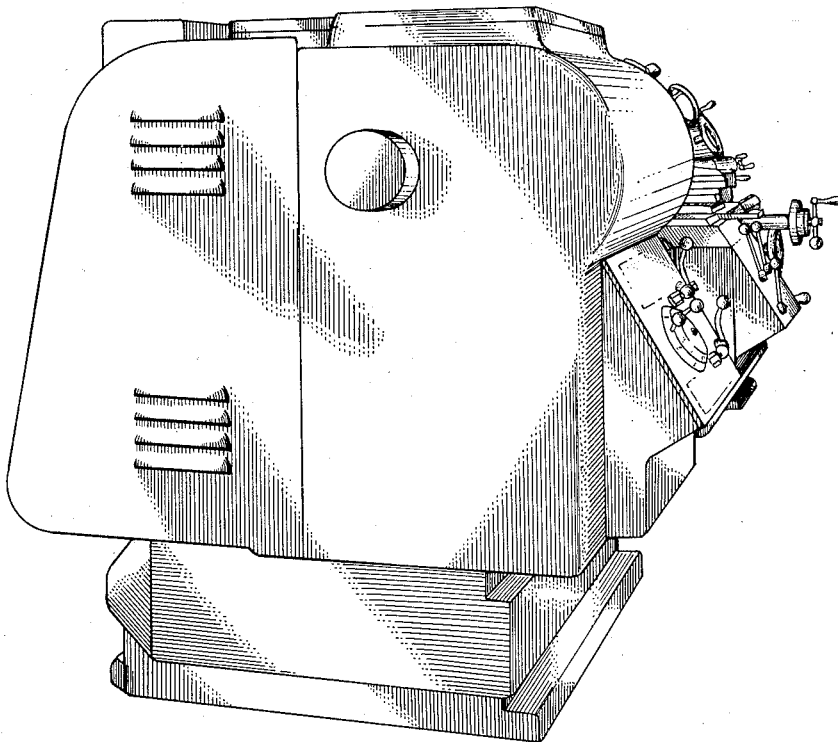


FIG. 3

INVENTOR.
HOWARD E. LAUBACH.
ROBERT C. JOHNSON.
BY VINCENT J. KRAMER.

Touhman's Touhman
ATTORNEYS

March 8, 1949.

H. E. LAUBACH ET AL

Des. 152,987

ENGINE LATHE

Filed Oct. 21, 1947

4 Sheets-Sheet 4

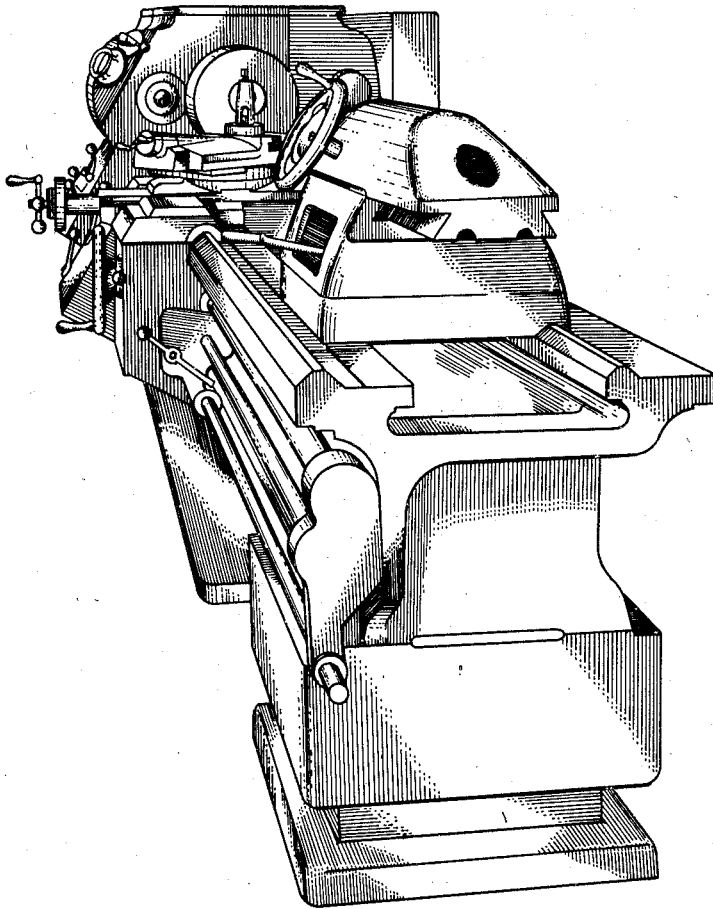


FIG. 4

INVENTOR.
HOWARD E. LAUBACH.
ROBERT C. JOHNSON.
BY VINCENT J. KRAMER.

Toulmin & Toulmin
ATTORNEYS

UNITED STATES PATENT OFFICE

152,987

DESIGN FOR AN ENGINE LATHE

Howard E. Laubach, Cincinnati, and Robert C. Johnson and Vincent J. Kramer, Norwood, Ohio, assignors to The Boye & Emmes Machine Tool Company, Cincinnati, Ohio, a corporation of Ohio

Application October 21, 1947, Serial No. 142,072

Term of patent 14 years

(Cl. D54—6)

To all whom it may concern:

Be it known that we, Howard E. Laubach, Robert C. Johnson, and Vincent J. Kramer, citizens of the United States, residing at Cincinnati, Norwood, and Norwood, respectively, in the county of Hamilton and State of Ohio, have invented a new, original, and ornamental Design for an Engine Lathe, of which the following is a specification, reference being had therein to the accompanying drawings forming part thereof:

Figure 1 is a front perspective view of an engine lathe, showing our new design.

Figure 2 is a rear perspective view of the engine lathe shown in Figure 1.

Figure 3 is a left hand end perspective view of the engine lathe shown in Figure 1.

Figure 4 is a right hand end perspective view of the engine lathe shown in Figure 1.

We claim:

The ornamental design for an engine lathe, as shown.

HOWARD E. LAUBACH.
ROBERT C. JOHNSON.
VINCENT J. KRAMER.

REFERENCES CITED

The following references are of record in the file of this patent:

Vol. 84, American Machinist for Jan. 10, 1940, Le Blond Machine Tool Co. Lathe on page 35.

Vol. 84, American Machinist for Jan. 24, 1940, Boye and Emmes Engine Lathe, top of page 84.

Hitchcock Tool Blue Book for November, 1938, Le Blond Lathe on page 72.